

MANUAL

Cleaners for factory tools and small parts



Microclean
Maxiclean
Masterclean



VI INSPIRERAR TILL ARBETE

INTRODUCTION	3
SAFETY	4

MICROCLEAN

FUNCTION	5
INSTALLATION	5
Assembly instructions	5
CLEANING INSTRUCTIONS	6
MAINTENANCE	6
How to change liquid	6
How to change pump gasket	7
How to change pump	7
How to change power cord	
SPARE PARTS	7
ACCESSORIES	7
TECHNICAL SPECIFICATION	7

MAXICLEAN

FUNCTION	8
INSTALLATION	8
Assembly instructions	8
CLEANING INSTRUCTIONS	9
MAINTENANCE	10
How to change liquid	10
How to change pump gasket	10
How to change pump	11
How to change power cord	11
SPARE PARTS	11
ACCESSORIES	11
TECHNICAL SPECIFICATION	11

MASTERCLEAN

FUNCTION	12
INSTALLATION	12
Assembly instructions	12
CLEANING INSTRUCTIONS	13
MAINTENANCE	14
How to change liquid	14
How to change pump gasket	14
How to change pump	14
How to change power cord	14
SPARE PARTS	14
ACCESSORIES	15
TECHNICAL SPECIFICATION	15

INTRODUCTION

In order to maintain maximum safety, be sure to read the section **”SAFETY”** carefully before any maintenance is carried out on the cleaner.

This instruction manual is valid for the cleaners: MICROCLEAN, MAXICLEAN AND MASTERCLEAN manufactured by GBP Ergonomics AB (GBP). It is recommended by GBP to study the instruction manual carefully and –most important of all- make sure that the manual is available for those who install, maintain and use the cleaner.

GBP does not take responsibility for personal injury or damage on the cleaner, if instructions are not followed.

Make sure to read the instruction manual before unpacking, installing or using this cleaner. Observe all safety issues. Serious personal injury or damage to the cleaner may occur if you choose to neglect this information

Furthermore it is important that you:

- Keep this information and other applicable documents during the lifetime of the cleaner.
- Hand over the instructions to a possible new user.
- Insert possible changes and additional instructions in the manual, supplied from GBP

This manual is valid for:

Serial N°.

CE-certification

Our washers are CE certified, see fig 1 below. If the cleaner is modified or fitted with other products, the CE certification is no longer valid.



fig 1

SAFETY

The warning labels in this manual stand for the following:

DANGER

Negligence in the following instruction in this manual might be life threatening.

WARNING

Negligence in the following instruction in this manual might lead to personal injury.

ATTENTION

Negligence in the following instruction in this manual might lead to damage to the cleaner.

Work on electrical equipment shall only be performed by **skilled personnel**.

The definition of **skilled personnel** is:

- Personnel with the technical knowledge or enough experience to avoid the risks involved in working with electricity.

How to act in case of an accident.

- If an accident has occurred, act promptly, send for medical help immediately.
- If the victim is breathing but unconscious, place him in semi-prone position (stretched out on the side with mouth and respiratory passages free).
- If the victim is not breathing, start mouth to mouth resuscitation.
- In case of heart failure, give heart massage if you are trained in heart massage.

MICROCLEAN (Part. N°. 36-180-2401)

FUNCTION

MICROCLEAN can easily be fitted to the wall or placed on a workbench.

It is designed for manual cleaning using a spray gun.

The liquid is recycled automatically and cleaned using sedimentation.

Ventilation hose is available as an accessory.

MICROCLEAN has:

- A well designed ventilation system that is effective for manual cleaning.
- The ventilating cover is easy to connect to existing ventilation system.
- A spray gun that is easy to grip and manoeuvre.
- The electrical system is totally insulated from the liquid.
- Closed off workspace preventing the liquid from leaking.

INSTALLATION

Assembly instructions

1. Mount the cleaner on a wall or place it on a workbench (when placing it on a workbench, pull out the adjustable legs).
2. Make sure that the sedimentation plate is in place in the sedimentation tank.
3. Put the unloading plate, with the open slots to the left, on top of the sedimentation tank.
4. Mount the connection to ventilation system on the right side of the cleaner with the enclosed screws.
5. Fill the tank with 8 litres of liquid, low aromatic degreaser with flash-point above 70° C. The liquid must not exceed the inner unloading plate.
6. Connect the cleaner to a 230V/50Hz earthed socket. The input plug should be easy to reach, when the cleaner is in use.

 **DANGER**

- Do not mix the liquid with for example gasoline, thinner, acetone or similar.
- Do not place the cleaner in rooms where volatile solvents or inflammable gases are stored or used. This may cause an explosion!

 **DANGER**

- Do not place the cleaner in wet or humid rooms. This may cause flashover!

!WARNING!

- The liquids flash point must exceed 70°C. If not, it may cause a fire!

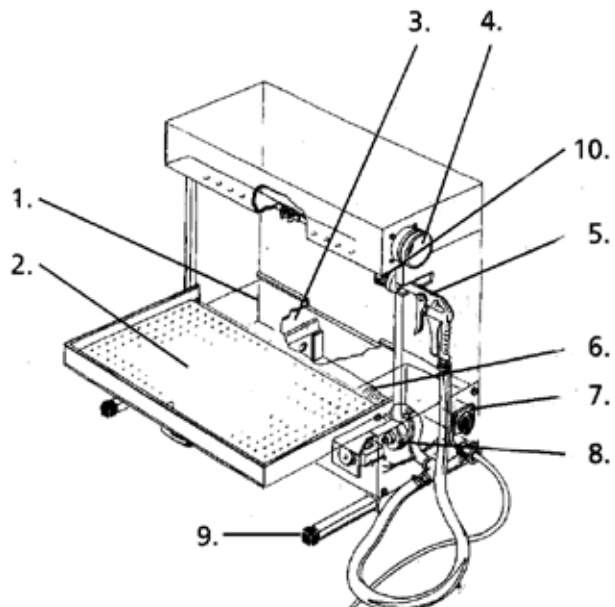
!ATTENTION

- Do not place the cleaner in wet or humid rooms. This may cause flash over!

CLEANING INSTRUCTIONS

1. Open the cover and put the parts, which need to be cleaned on the wash board.
2. Turn the main switch to position 1.
3. Clean manually using the spray gun.
4. Turn the main switch to position 0.

1. Unloading plate
2. Wash board for manual cleaning
3. Sedimentation plate
4. Connection to ventilation system
5. Spray gun with hose
6. Net strainer
7. Main switch
8. Pump
9. Adjustable leg
- 10 Brush



MAINTENANCE

A bad cleaning result may be caused by:

- The cleaning fluid needs to be changed.
- Pump gasket needs to be replaced.
- Pump needs to be replaced.

A leakage is most likely caused by a damaged pump gasket.

How to change the cleaning fluid

1. Unplug the machine from the power supply.
2. Remove the drainage plug from underneath the machine making sure to place a bucket or similar to collect the old fluid.
3. Pick up and clean the unloading plate, sedimentation plate and net strainer.
4. Put them back into place. Fill the tank with 8 litre fluid, low aromatic degreaser with flash point above 70°C. The level of the fluid must not exceed the inner unloading plate. **When diluting degreaser make sure to add the water before the degreaser.**

How to change the pump gasket

1. Unplug the machine from the power supply!
2. Empty the liquid, see: 'How to change the liquid'.
3. Unscrew the front plate and loosen the hose clip.
4. Loosen the two screws underneath the ground plate and lift up the pump.
5. Loosen the pump block and unscrew the pump wheel.
6. Change the gasket and put the pump together again.
7. Mount the pump, attach the hose and put the hose clip back on.
8. Refill the tank. See: 'How to change the fluid'.

How to change of pump

1. Unplug the machine from the power supply!
2. Empty the liquid, see: 'How to change the fluid'.
3. Unscrew the front-plate and loosen the hose clip.
4. Loosen the two screws underneath the ground plate and lift up the pump.
5. Mount the new pump, attach the hose and put the hose clip back on.
6. Refill the tank. See: 'How to change the Fluid'.

How to change the power cord

Work on electrical equipment must be performed by **skilled personnel** only.

Spare parts and accessories can be ordered from your supplier.

SPARE PARTS

38-100-0001	Brush
38-110-0001	Pump
38-103-0001	Net strainer
38-106-0001	Spray gun with
38-107-0001	hose Main switch

TECHNICAL SPECIFICATION

Spray gun with hose	1 st
Tank volume	8 litre
Max wash weight	20kg
Cleaning area WxDxH	515x170x335 mm
Cleaning table, WxD	515x340 mm
Outside dimensions, WxDxH	590x250x625 mm
Net strainer	1 st
Voltage supply	230V/50Hz 1fas.
Pump effect	85W
Weight	24kg
Fluid	Low aromatic degreaser with Flash point above 70°C

MAXICLEAN (Part. N°. 36-181-2401)

FUNCTION

MAXICLEAN has two cleaning systems, which can be used separately or integrated. The parts can be cleaned either in a closed area, where the liquid is automatically sprayed on the part by three nozzles or placed on a wash board and cleaned manually with a spray-gun.

The fluid is recycled automatically and cleaned using sedimentation. Ventilation hose and castors are available as accessories.

MAXICLEAN has:

A well designed ventilation system. The ventilating cover is easy to connect to existing ventilation system.

- A spray gun that is easy to grip and manoeuvre.
- The electrical system is totally insulated from the liquid.
- Closed off workspace preventing the liquid from leaking.

INSTALLATION

Assembly instructions

1. Lay the cleaner on its back. Mount the castors using the enclosed screws, two for each castor.
2. Make sure that the sedimentation box is located on the left hand side of the liquid tank.
3. Put the unloading plate, with the open slots to the left and the gripping edge backwards.
4. Mount the protection hood using the enclosed screws.
5. Mount the connection of the ventilation system on to the protective hood using the enclosed screws.
6. Fill the tank with 30 litres of fluid, low aromatic degreaser with flash point above 70°C. The liquid must not exceed the inner unloading plate.
7. Connect the cleaner to a 230V/50Hz earthed socket. The input plug should be easy to reach, when the cleaner is in use.

 **DANGER**

- Do **not** mix the liquid with for example petrol, thinner, acetone or similar.
- Do **not** place the cleaner in rooms where volatile solvents or inflammable gases are stored or used.

This may cause an explosion!

⚠ WARNING

- The liquids flash point must exceed 70°C. If not, it may cause a fire!

⚠ DANGER

- Do not place the cleaner in wet or humid rooms. This may cause flash over!

⚠ ATTENTION

- Improper supplements such as thinner or trichloroethylene may cause damage to the pump and hoses.

CLEANING INSTRUCTIONS

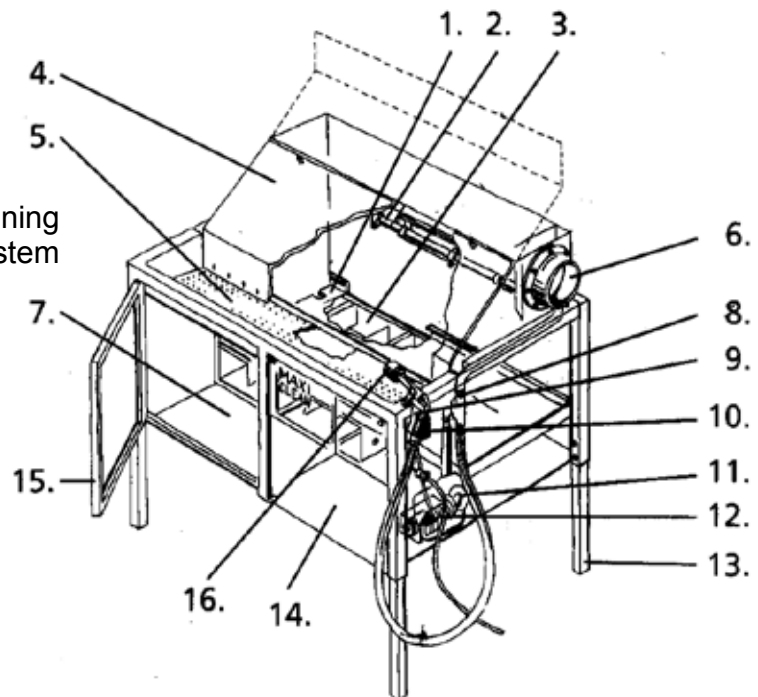
Automatic wash.

1. Open the cover of the protective hood and put the parts, which need to be cleaned, on the unloading plate.
2. Close the cover and turn the main switch (10) to position 1 and open the faucet (8).
3. Let the cleaner run until the parts are dean.
4. Turn the main switch to position 0. Close the faucet and open the cover.

Manual clean.

1. In order to improve the cleaning result, close the faucet (8).
2. Put the parts that need to be cleaned on the wash board.
3. Turn the main switch to position 1.
4. Clean manually using the spray-gun.
5. Turn the main switch to position 0.

1. Unloading plate
2. Nozzle
3. Sedimentation plate
4. Protective hood
5. Wash board for manual cleaning
6. Connection to ventilation system
7. Service space
8. Faucet
9. Spray gun with hose
10. Mains switch
11. Net strainer
12. Pump
13. Legs
14. Cover.
15. Door
16. Brush



MAINTENANCE

- A bad cleaning result may be caused by:
- The liquid needs to be replaced.
- The pump gasket needs to be replaced. .The pump needs to be replaced. The nozzles need to be cleaned
- A leakage is most likely caused by a damaged pump gasket.

How to change the liquid

1. Unplug the machine from the power supply!
2. Remove the drainage plug located underneath the cleaner and collect the old liquid in a bucket or similar.
3. Pick up and clean the unloading plate, sedimentation plate and the net strainer.
4. Put them back in the same place, fill the tank with 30 litres of liquid, low aromatic degreaser with flash point above 70° C. The level of the liquid must not exceed the inner unloading plate.

How to change the pump gasket

1. Unplug the machine from the power supply!
2. Empty the liquid, see: 'How to change the liquid' above.
3. Unscrew the front plate and loosen the hose clip.
4. Loosen the two screws underneath the ground plate and lift up the pump.
5. Loosen the pump-block and unscrew the pump wheel.
6. Change the gasket and put the pump together again.
7. Mount the pump, attach the hose and put the hose-clip back on.
8. Refill the tank see: 'How to change the liquid'.

How to change the pump

1. Unplug the machine from the power supply!
2. Empty the liquid, see: 'How to change the liquid' above.
3. Unscrew the front-plate and loosen the hose clip.
4. Loosen the two screws underneath the ground plate and lift up the pump.
5. Mount the new pump, attach the hose and put the hose-clip back on.
6. Refill the tank see: 'How to change the liquid'.

How to change the power cord

Work on electrical equipment must be performed by **skilled personnel** only.

Cleaning nozzles

1. Unscrew the nozzles and clean them.
2. Return them.

Spare parts and accessories can be ordered from your supplier.

SPARE PARTS

38-100-0001	Brush
38-110-0001	Pump
38-103-0001	Net strainer
38-104-0001	Nozzle
38-106-0001	Spray gun with hose
38-107-0001	Main switch

ACCESSORIES

36-188-9001	Wash basket 250x120x90 mm
-------------	---------------------------

TECHNICAL SPECIFICATION

Number of nozzles	3
Spray gun with brush	1
Tank volume	30 liter
Max weight of parts to be cleaned	100 kg
Cleaning area, WxDxH	900x410x310 mm
Cleaning board, BxD	930x230 mm
Outside dimension, WxDxH (Without castors)	970x700x1130 mm
Wash boards height	830 mm
Net strainer	1
Voltage supply	230V/50Hz 1fas
Pump effect	85W
Weight	72 kg
Degreaser	Low Aromatic degreaser with a, Flash point over 70°C.

MASTERCLEAN (Part. n°. 36-182-1401)

FUNCTION

MASTERCLEAN has two cleaning systems, which can be used separately or integrated. The parts can be cleaned either in a closed area, where the liquid is automatically sprayed on the part by six nozzles or placed on a wash bench and cleaned manually with a spray-gun.

The liquid is recycled automatically and cleaned using sedimentation. Ventilation hose and castors are available as accessories.

MASTERCLEAN has:

- A well designed ventilation system. The cleaner is easy to connect to existing ventilation system.
- A spray gun that is easy to grip and manoeuvre.
- The electrical system is totally insulated from the liquid.
- Closed off workspace preventing the liquid from leaking.

INSTALLATION

Assembly instructions

1. Make sure that the sedimentation box is located inside the liquid tank.
2. Put the unloading plate and the outflow plate on top of the sedimentation box.
3. Mount the connection of the ventilation system on to the protective hood using the enclosed screws.
4. Fill the tank with 50 litres of liquid, low aromatic degreaser with flash point above 70°C. The liquid must not exceed the inner unloading plate.
5. Connect the cleaner to a 230V/50Hz earthen socket. The input plug should be easy to reach, when the cleaner is in use.

FARA!

- Do not mix the liquid with for example gasoline, thinner, acetone or the like.
- Do not place the cleaner in rooms where volatile solvents or inflammable gases are stored or used. This may cause an explosion!

VARNING!

The flash point of the liquid must exceed 70°C.

If not, it may cause fire!

⚠ DANGER

- Do not place the cleaner in wet or humid rooms. This may cause flash over.

⚠ ATTENTION

- Improper supplements such as thinner or trichloroethylene may cause damage to the pump and hoses.

CLEANING INSTRUCTIONS

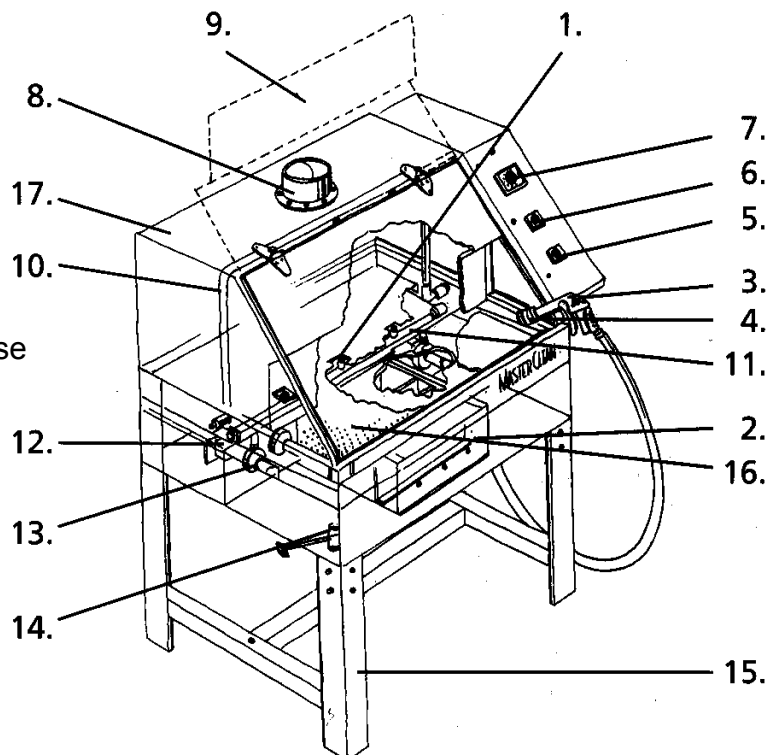
Automatic wash

1. Open the cover of the protective hood and place the parts on the unloading plate.
2. Close the cover.
3. If you wish to have the liquid sprayed only from above the part, turn the switch (6) to position 1.
4. If you wish to have the liquid sprayed from both above and underneath the part, turn the switch (6) to position 2.
5. Set the timer (7) for the desired cleaning time. 6. When the cleaning is finished open the cover.

Manual cleaning

1. Put the parts, which need to be cleaned, on the wash table.
2. Set the timer (7) for the desired time.
3. Turn the switch (5) to position 1.
4. Clean manually using the spray-gun.
5. Turn the switch to position 0.

1. Nozzle
2. Sedimentation box
3. Spray gun with hose
4. Brush
5. Switch manual wash
6. Switch automatic clean
7. Timer
8. Connection for ventilation hose
9. Cover
10. Wash pipe, upper
11. Wash pipe, lower
12. Pump, 3
13. Net strainer 3
14. Valve
15. Leg
16. Wash board for hand wash
17. Protective hood



MAINTENANCE

A bad cleaning result may be caused by:

- The liquid needs to be replaced.
- The pump gasket needs to be replaced.
- The pump needs to be replaced.
- The nozzles need to be cleaned

A leakage is most likely caused by a damaged pump gasket.

How to change the liquid

1. Unplug the machine from the power supply!
2. Open the valve, that is located underneath the cleaner and collect the old liquid.
3. Pick up and dean the unloading plate, the wash bench, the sedimentation plate and the net strainer.
4. Put them back in the same place, fill the tank with 50 litres of liquid, low aromatic degreaser with flash-point above 70° C.
The level of the liquid must not exceed the inner unloading plate.

How to change the pump gasket

1. Unplug the machine from the power supply!
2. Empty the liquid, see: 'How to change the liquid' above.
3. Unscrew the front-plate and loosen the hose clip.
4. Loosen the two screws underneath the ground plate and lift up the pump.
5. Loosen the pump-block and unscrew the pump wheel.
6. Change the gasket and put the pump together again.
7. Mount the pump, attach the hose and put the hose-clip back on. 8. Refill the tank see: 'How to change the liquid'.

Change of pump

1. Unplug the machine from the power supply!
2. Empty the liquid, see: 'How to change the liquid' above. 3. Unscrew the front-plate and loosen the hose clip.
4. Loosen the two screws underneath the ground plate and lift up the pump.
5. Mount the new pump, attach the hose and put the hose-clip back on.
6. Refill the tank see: 'How to change the liquid'.

How to change the power cord

Work on electrical equipment must be performed by **skilled personnel** only.

Cleaning nozzles

1. Unscrew the nozzles and dean them.
2. Return them.

Spare parts and accessories may be ordered from your supplier.

SPARE PARTS

38-100-0001	Brush
38-110-0001	Pump
38-103-0001	Net strainer
38-104-0001	Nozzle
38-106-0001	Spray gun with hose
38-107-0001	Switch manual wash
38-108-0001	Switch automatic wash
36-183-0001	Timer

ACCESSORIES

36-188-9001	Wash basket 250x120x90 mm
-------------	---------------------------

TECHNICAL SPECIFICATION

No. of nozzles	6
Spray gun with brush	1
Pumps	3
Tank volume	50liter
Max weight of parts to be cleaned	100 kg
Cleaning area, WxDxH	770x400x370 mm
Wash board, BxD	840x200 mm
Outside measurements, WxDxH	1010x710x1300 mm
Wash boards height	870mm
Net strainers	3
Voltage	230VI 50Hz 1fas.
Pump effect	255W
Weight	96 kg
Cleaning fluid	Low aromatic degreaser with, Flash point over 70°C.



VI INSPIRERAR TILL ARBETE

GBP
Lussebogatan 6
SE-573 92 Tranås
Tel: Intl + 46 101 – 61 54 00
E-mail info@gbp.se
Internet www.gbp.se